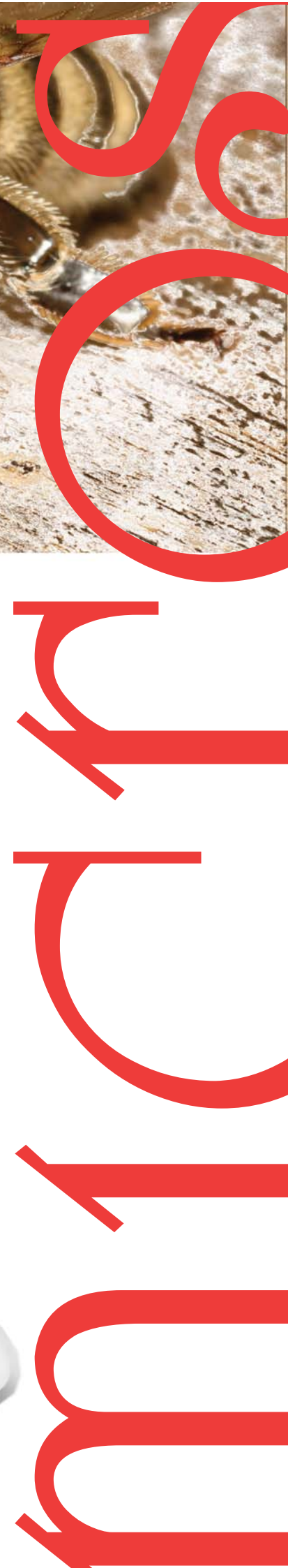




STEREO MICROSCOPE
for hobby, educational
and industrial fields
BEE MICRO STEREO 1107



micros
AUSTRIA

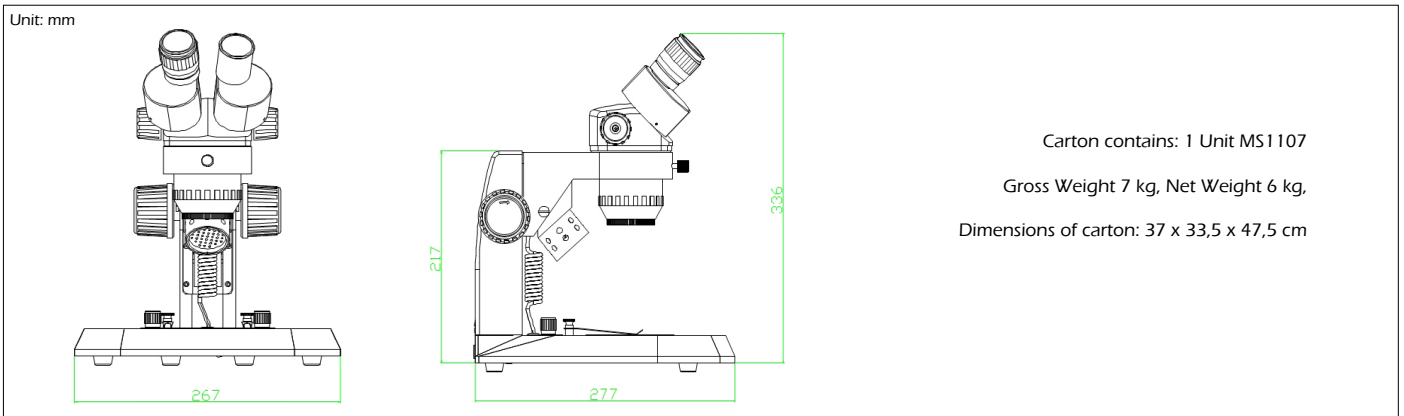


Specifications Bee Micro Stereo 1107

Base	Frosted glass plate, black/white plate and stage clips
Head	With binocular tube, 45° inclined, 360° rotatable Interpupillary distance adjustable from 50 - 75 mm
Magnification	Magnification in nosepiece 1x/3x (or 2x/4x) Total Magnification 10x/30X (or 20x/40X)
Eyepieces	SWF 10x23 with eyeshields
Illumination	Incident light 9V2W LED, variable intensity control Transmitted light 9V/3W LED, variable intensity control Incident and Transmitted light can be used simultaneously
Accessories	Dust cover and user manual



Dimensional Diagram



Bee Micro Stereo 1107 Stereo Microscope

Discover a world beyond the reach of normal vision

This model is ideal for educational and industrial applications. It features a 360° rotatable binocular head which is inclined at 45°. This gives you the possibility to share your views without moving the microscope. The Micro Stereo 1107 provides both transmitted and incident light which can be used separately or simultaneously. Explore sharp three dimensional images of your specimen or objects.



Microscope design developed by MICROS AUSTRIA. Specifications and equipment are subject to change without any obligation on the part of the manufacturer.

micros



MICROS AUSTRIA
Headquarter Austria
Breitenfurter Strasse 38
A-1120 Vienna
Tel: +43/1/802 727 0
Fax: +43/1/802 72 71
office@micros.at
www.micros.at

MICROS USA, LLC
6800 Garfield Avenue
Minneapolis
MN 55423
Cell Phone: +1/612/770 3885
Fax: +1/206/984 3949
sales@micros-us.com
www.micros-us.com

RMS

Member of the Royal Microscopical Society

MICROS Iberoamerica, LLC
3823 Tamiami Trail E, #232
Naples, FL 34112
Tel: +1/239/331 7362
Fax: +1/239/793 1109
info@micros-iberoamerica.com
www.micros-iberoamerica.com

We are here for you